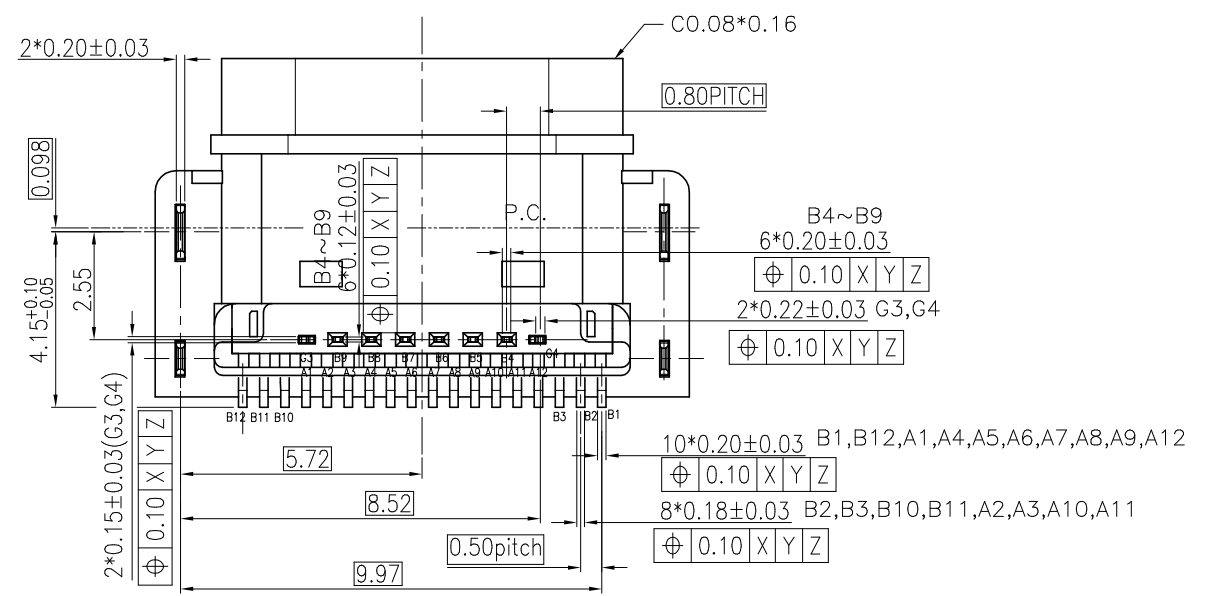
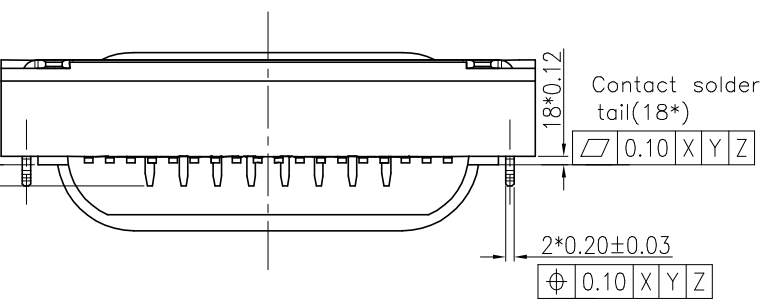
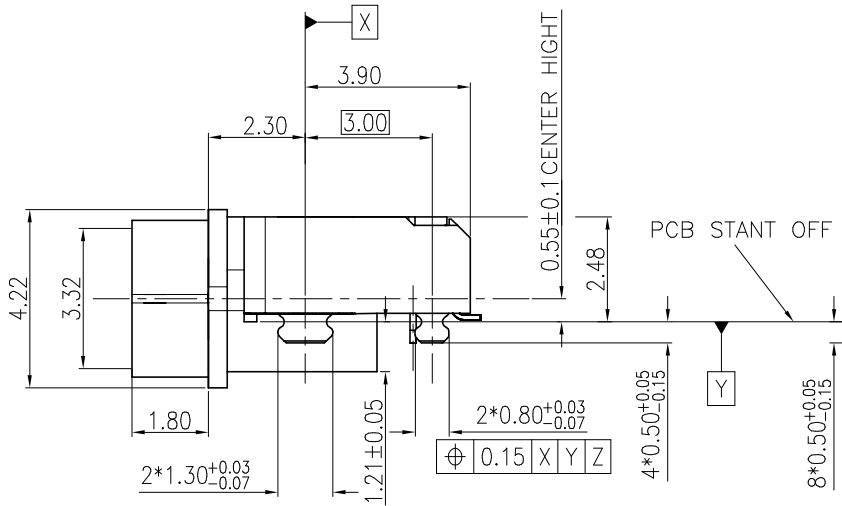
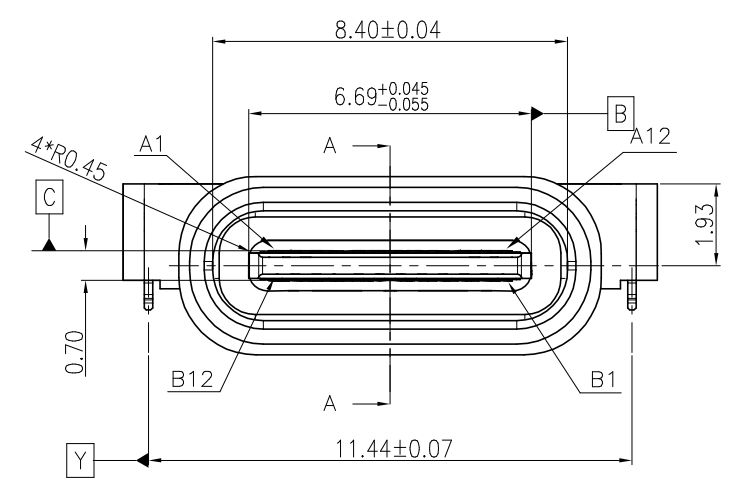
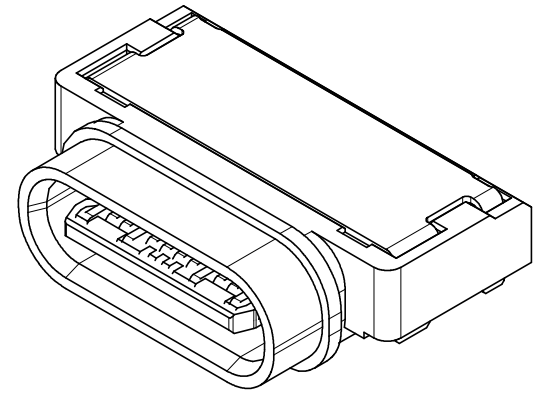
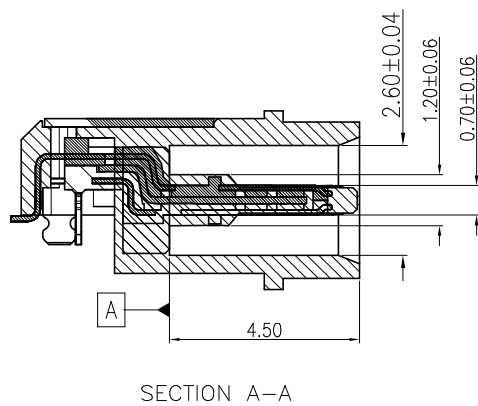
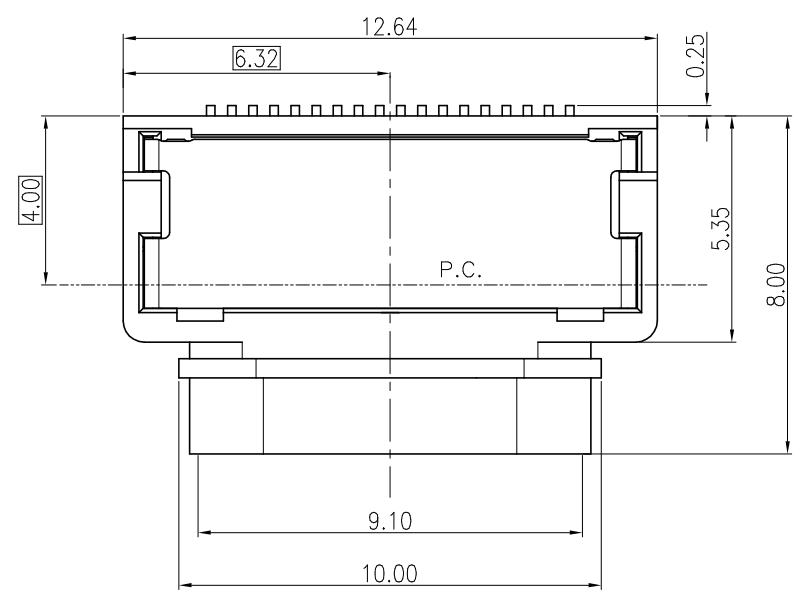


REV	ECN.NO	APPD.
A	XYX-183FZ-24TC-18301	ZHENBO LIU
B	XYX-183FZ-24TC-18301	QiaoZhen LIN



⑦	OVERMOLD	1 PCS	THERMOPLASTIC.	BLACK
⑤	CENTER_PLATE	1 PCS	STAINLESS STEEL	SOLDER AREA: GOLD FLASH OVER NI 20u" MIN.
④	SHELL	1 PCS	STAINLESS STEEL	SOLDER AREA: GOLD FLASH OVER NI 20u" MIN.
③	HOUSING	1 PCS	THERMOPLASTIC.	BLACK
②	CONTACT-2	12PCS	COPPER ALLOY	CONTACT AREA: SEE PRODUCT NUMBER SOLDER AREA:GOLD FLASH OVER NI 50u" MIN.
①	CONTACT-1	12PCS	COPPER ALLOY	
ITFM	PART NAME	QTY	MATFRIAL	RFMARK

GENERAL TOLERANCE  
X.±0.30    x.'±1'  
.XX±0.25    .x'±0.1'  
.XXX±0.20  
.XXX±0.10

THESE DRAWINGS AND SPECIFICATIONS ARE THE PROPERTY OF YEXING IN TEECONNECT TECHNOLOGY LIMITED AND SHALL NOT BE REPRODUCED COPIED OR USED IN ANY MANNER WITHOUT THE PRIOR WRITTEN CONSENT OF XINYEXING INTERCONNECTEC HNOLOGY LIMITEDCT

UNITS	mm
MAT'L	
FINISH	
Q'TY	
NAME(INTENDED USE)	TYPE C 24P防水母座 四脚DIP
PART NO.(INTENDED USE)	XYX-183FZ-24TC-18301
APPD:	ZHENBO LIU 12/04'16
CHKD:	QiaoZhen LIN 12/04'16
DR:	ZHIYI LI 12/04'16

**深圳市日宝电子科技有限公司**  
Shenzhen RB Electronic Technology Co., Ltd.

CLASS:  CONFIDENTIAL  SECRET  GENERAL

TITLE.: CUSTOMER DRAWING

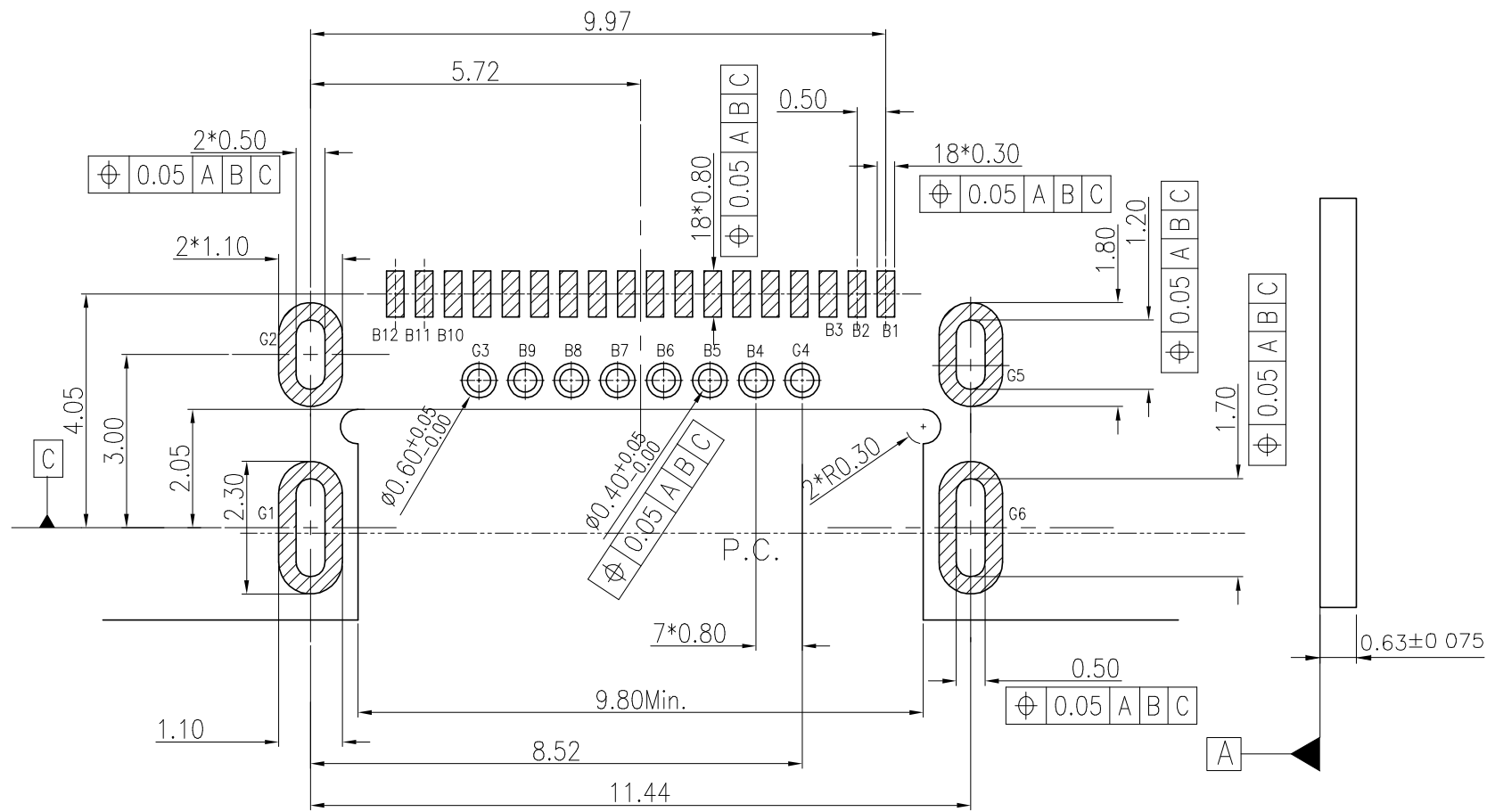
DWG NO.:

SHEET	SCALE	REV
1/3	1:1	B

此文件为双方检验的唯一标准  
This document is the only standard for inspection by both parties

REV	ECN.NO	APPD.
A	XYX-183FZ-24TC-18301	ZHENBO LIU
B	XYX-183FZ-24TC-18301	QiaoZhen LIN

- NOTES:
- ELECTRICAL CHARACTERISTICS :
    - CONTACT CURRENT RATING: 5.0 A FOR VBUS PIN AND ITS CORRESPONDING GND PIN, 0.25 A MIN FOR ALL OTHER CONTACTS.
    - CONTACT RESISTANCE: INITIAL 40 mΩ Max. AFTER 50 mΩ Max.
    - DIELECTRIC WITHSTANDING VOLTAGE : 100 VRMS AC MIN.
    - INSULATION RESISTANCE: 100 MEGOHMS MIN.
  - MECHANICAL CHARACTERISTICS:
    - CONNECTOR INSERTION FORCE: 5~20N. AT A MAXIMUM RATE OF 12.5MM PER SECOND.
    - CONNECTOR EXTRACTION FORCE: 8~20N FORM 1000 CYCLES 6~20N FORM 1001 to 10000 CYCLES
    - DURABILITY: 10000 CYCLES.
    - OPERATING TEMPERATURE: -40°C TO +85°C
  - DIMENSIONS ARE IN MILLIMETERS, BRACKETED DIMENSIONS ARE INCHES EQUIVALENTS.
  - RECOMMENDED PROCESS: IR REFLOW 260°C, 10 SECONDS.
  - THE CONNECTOR IS ROHS COMPLIANT.



RECOMMENDED P.C.B LAYOUT TOP VIEW  
TOLERANCES ± 0.05MM

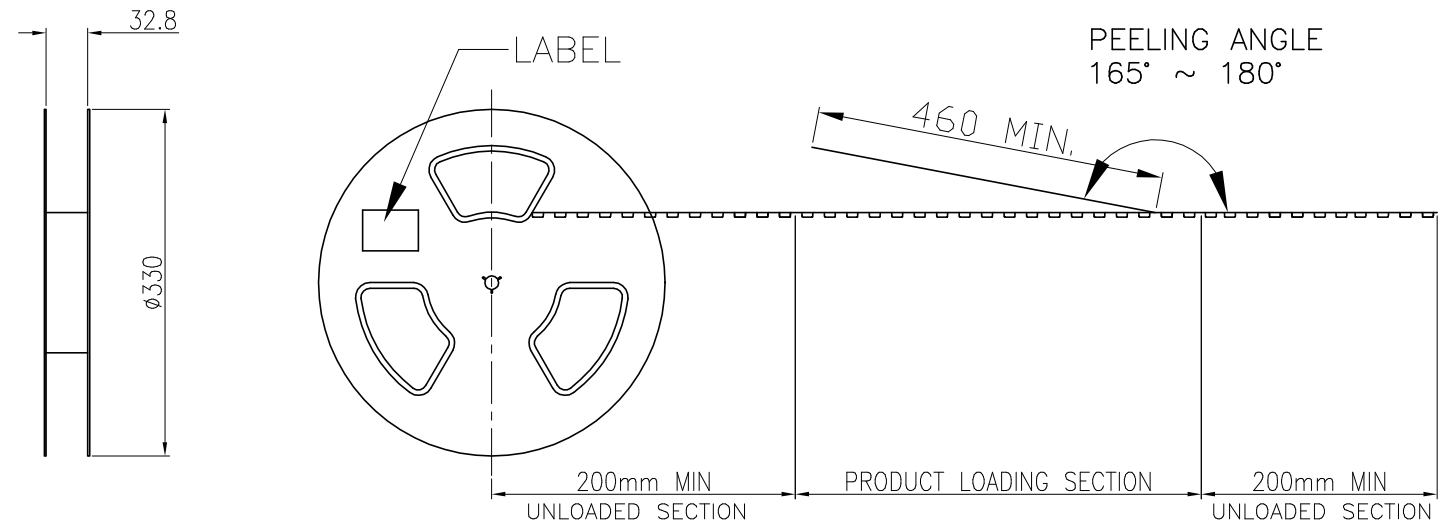
PIN ASSIGNMENT FOR DIRECT CONNECT APPLICATIONS											
A1	A2	A3	A4	A5	A6	A7	A8	A9	A10	A11	A12
GND	TX1+	TX1-	VBUS	CC1	D+	D-	SUB1	VBUS	RX2-	RX2+	GND
GND	RX1+	RX1-	VBUS	SBU2	D-	D+	CC2	VBUS	TX2-	TX2+	GND
B12	B11	B10	B9	B8	B7	B6	B5	B4	B3	B2	B1

此文件为双方检验的唯一标准  
This document is the only standard for inspection by both parties

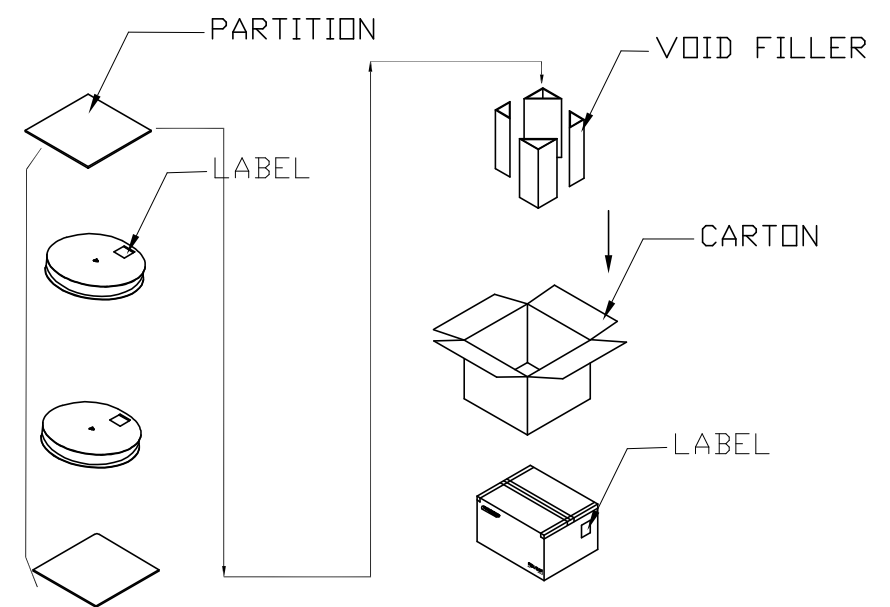
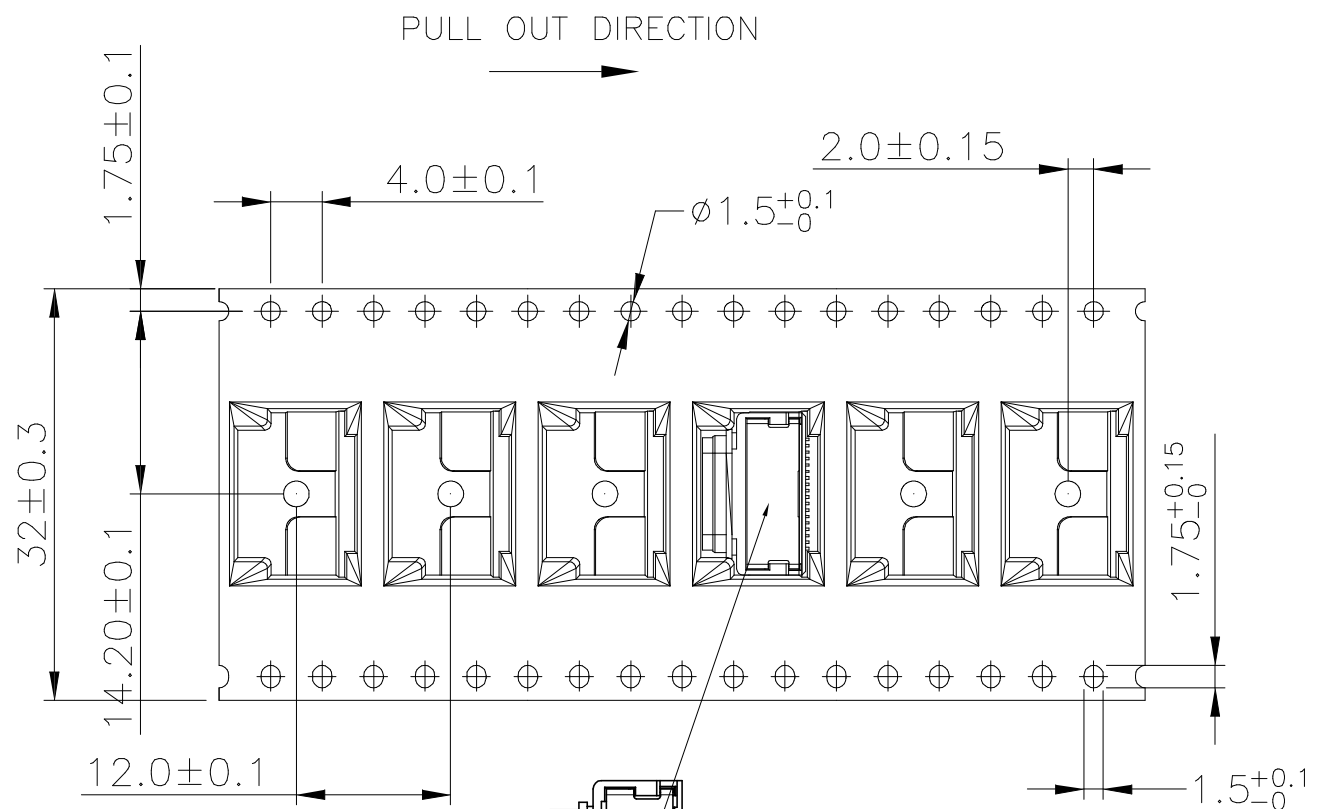
GENERAL TOLERANCE X.±0.30 x.°±1° .X±0.25 .x°±0.1° .XX±0.20 .XXX±0.10	UNITS	mm	NAME(INTENDED USE) <b>TYPE C 24P防水母座 四脚DIP</b>	<b>深圳市日宝电子科技有限公司</b> Shenzhen RB Electronic Technology Co., Ltd.					
	MAT'L				PART NO.(INTENDED USE) <b>XYX-183FZ-24TC-18301</b>				
	FINISH		APPD: <b>ZHENBO LIU</b> 12/04'16	CLASS: <input type="checkbox"/> CONFIDENTIAL <input type="checkbox"/> SECRET <input checked="" type="checkbox"/> GENERAL TITLE.: CUSTOMER DRAWING					
	Q'TY		CHKD: <b>QiaoZhen LIN</b> 12/04'16	DWG NO.:					
			DR: <b>ZHIYI LI</b> 12/04'16	<table border="1"> <tr> <td>SHEET</td> <td>SCALE</td> <td>REV</td> </tr> <tr> <td>2/3</td> <td>1:1</td> <td>B</td> </tr> </table>	SHEET	SCALE	REV	2/3	1:1
SHEET	SCALE	REV							
2/3	1:1	B							

THESE DRAWINGS AND SPECIFICATIONS ARE THE PROPERTY OF YEXING IN TEECONNECT TECHNOLOGY LIMITED AND SHALL NOT BE REPRODUCED COPIED OR USED IN ANY MANNER WITHOUT THE PRIOR WRITTEN CONSENT OF XINYEXING INTERCONNECTEC HNOLOGY LIMITEDCT

REV	ECN.NO	APPD.
A	XYX-183FZ-24TC-18301	ZHENBO LIU
B	XYX-183FZ-24TC-18301	QiaoZhen LIN



- NOTES :
- MATERIAL :  
COVER TAPE : P.S T=0.05mm  
CARRIER TAPE : P.S T=0.40mm  
CARTON: CORRUGATED FIBER
  - DIMENSION :  
REEL : SEE DRAWING  
SHIPPING BOX: 350X350X300mm
  - QUANTITY : SEE TABLE
  - PEELING RESISTANCE : 10gf~130gf (for 12~56mm)
  - PEELING SPEED : 300mm/MINUTES



此文件为双方检验的唯一标准  
This document is the only standard for inspection by both parties

1000	7	7000
PCS/REEL	REEL/BOX	TOTAL Q'TY

GENERAL TOLERANCE	UNITS	mm
X.±0.40	x.'±1°	
.X±0.30	.x'±0.1°	
.XX±0.25		
.XXX±0.10		

THESE DRAWINGS AND SPECIFICATIONS ARE THE PROPERTY OF YEXING IN TEECONNECT TECHNOLOGY LIMITED AND SHALL NOT BE REPRODUCED COPIED OR USED IN ANY MANNER WITHOUT THE PRIOR WRITTEN CONSENT OF XINYEXING INTERCONNECTEC HNOLGY LIMITEDCT

NAME(INTENDED USE)	TYPE C 24P防水母座 四脚DIP
PART NO.(INTENDED USE)	XYX-183FZ-24TC-18301
APPD:	ZHENBO LIU 12/04'16
CHKD:	QiaoZhen LIN 12/04'16
DR:	ZHIYI LI 12/04'16

深圳市日宝电子科技有限公司  
Shenzhen RB Electronic Technology Co., Ltd.

CLASS:  CONFIDENTIAL  SECRET  GENERAL

TITLE.: CUSTOMER DRAWING

DWG NO.:

	SHEET	SCALE	REV
	3/3	1:1	B