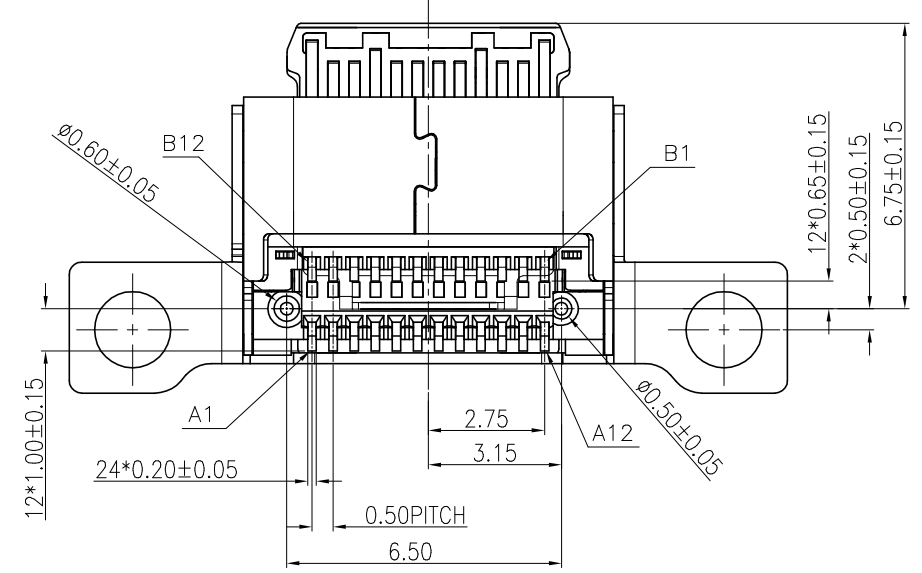
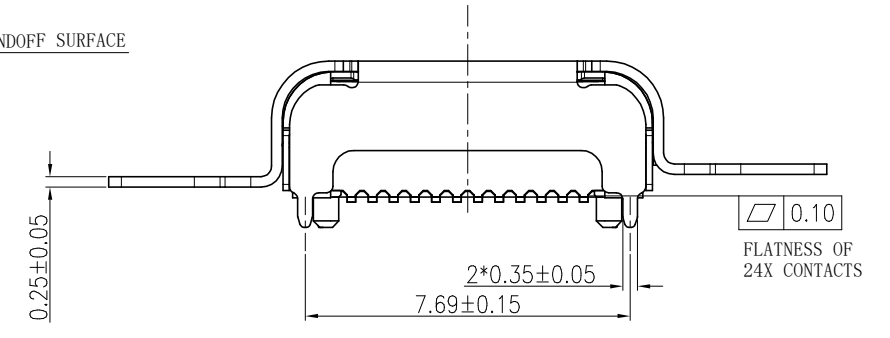
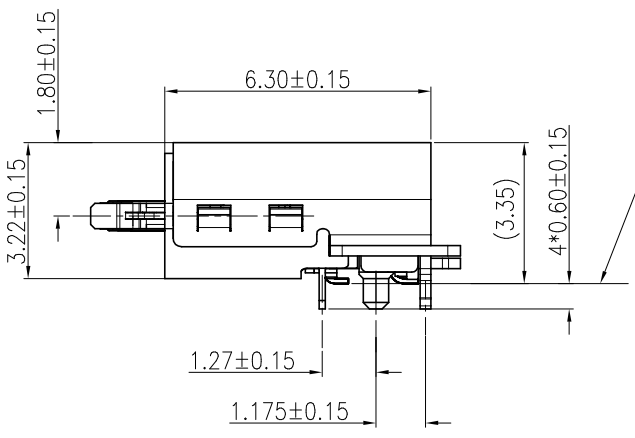
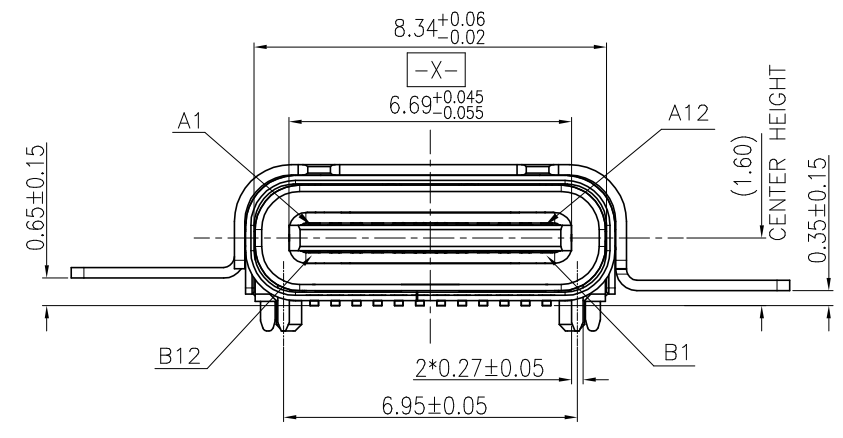
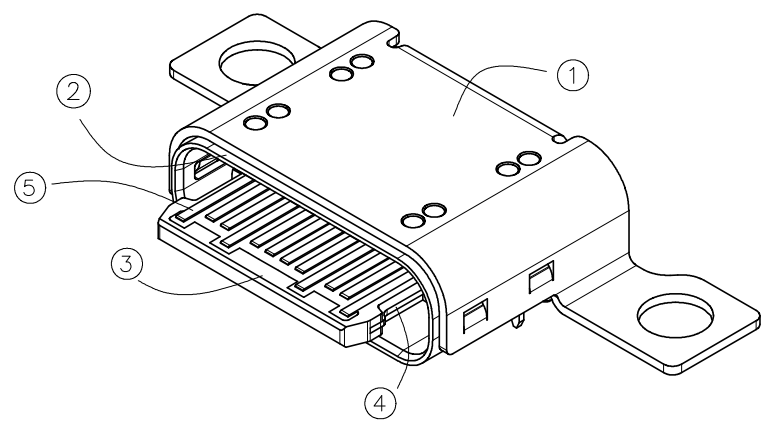
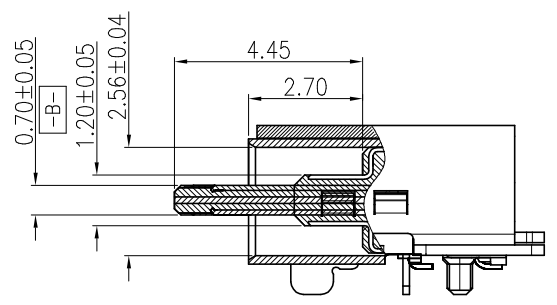
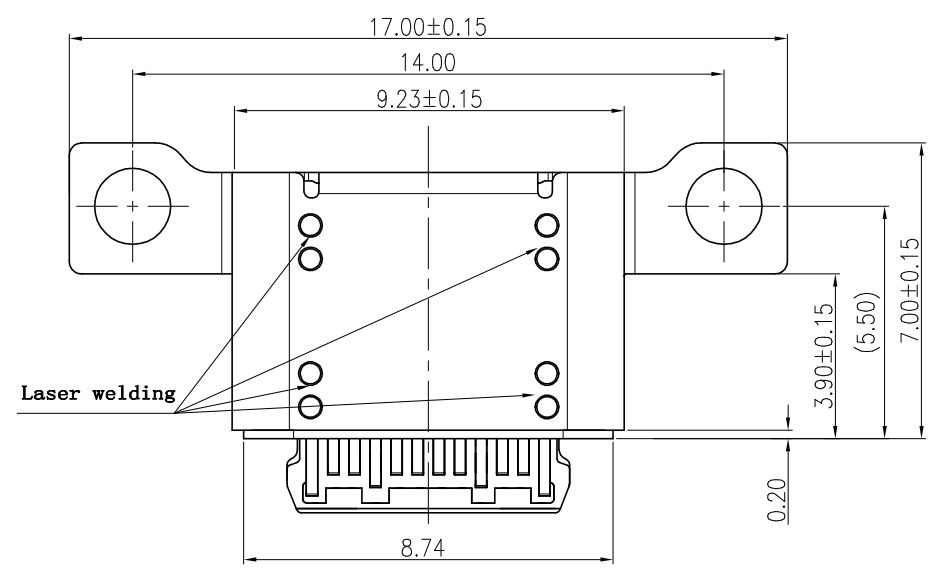



|     |                      |              |
|-----|----------------------|--------------|
| REV | ECN.NO               | APPD.        |
| A   | XYX-183BZ-24TC-18301 | ZHENBO LIU   |
| B   | XYX-183BZ-24TC-18301 | QiaoZhen LIN |



|      |                 |       |             |   |
|------|-----------------|-------|-------------|---|
| ⑤    | TERMINAL        | 24PCS | C18400-R540 | 50u" MIN. Ni UNDER PLATING.<br>80u" MIN. MATTE TIN PLATING ON SOLDER AREA.<br>GOLD PLATING ON CONTACT AREA.(SEE PART NUM) |
| ④    | SHIELDING PLATE | 1 PCS | SUS 301-EH  | 50u" MIN. SOLDERABLE Ni PLATING OVERALL.  |
| ③    | HOUSING         | 1 PCS | Nylon 46    | UL94V-0   |
| ②    | SHELL           | 1 PCS | SUS 304-H   | STAINLESS STEEL   |
| ①    | TOP SHELL       | 1 PCS | SUS 304-H   | STAINLESS STEEL   |
| ITFM | PART NAMF       | QTY   | MATFRIAL    | RFMARK  |

此文件为双方检验的唯一标准  
This document is the only standard for inspection by both parties

|  |        |    |                        |                             |
|--|--------|----|------------------------|-----------------------------|
| GENERAL TOLERANCE<br>X.±0.30    x.'±1'<br>.X±0.25    .x'±0.1'<br>.XX±0.10<br>.XXX±0.10   | UNITS  | mm | NAME(INTENDED USE)     | USB TYPE C DUAL SMT,CH1.6mm |
|  | MAT'L  |    | PART NO.(INTENDED USE) | XYX-183BZ-24TC-18301        |
|  | FINISH |    | APPD:                  | ZHENBO LIU 12/04'16         |
|  | Q'TY   |    | CHKD:                  | QiaoZhen LIN 12/04'16       |
| THESE DRAWINGS AND SPECIFICATIONS ARE THE PROPERTY OF RIBAO IN TEECONNECT TECHNOLOGY LIMITED,AND SHALL NOT BE REPRODUCED COPIED OR USED IN ANY MANNER WITHOUT THE PRIOR WRITTEN CONSENT OF XINYEXING INTERCONNECTEC HNOLGY LIMITEDCT |        |    | DR:                    | ZHIYI LI 12/04'16           |


**深圳市日宝电子科技有限公司**  
 Shenzhen RB Electronic Technology Co., Ltd.

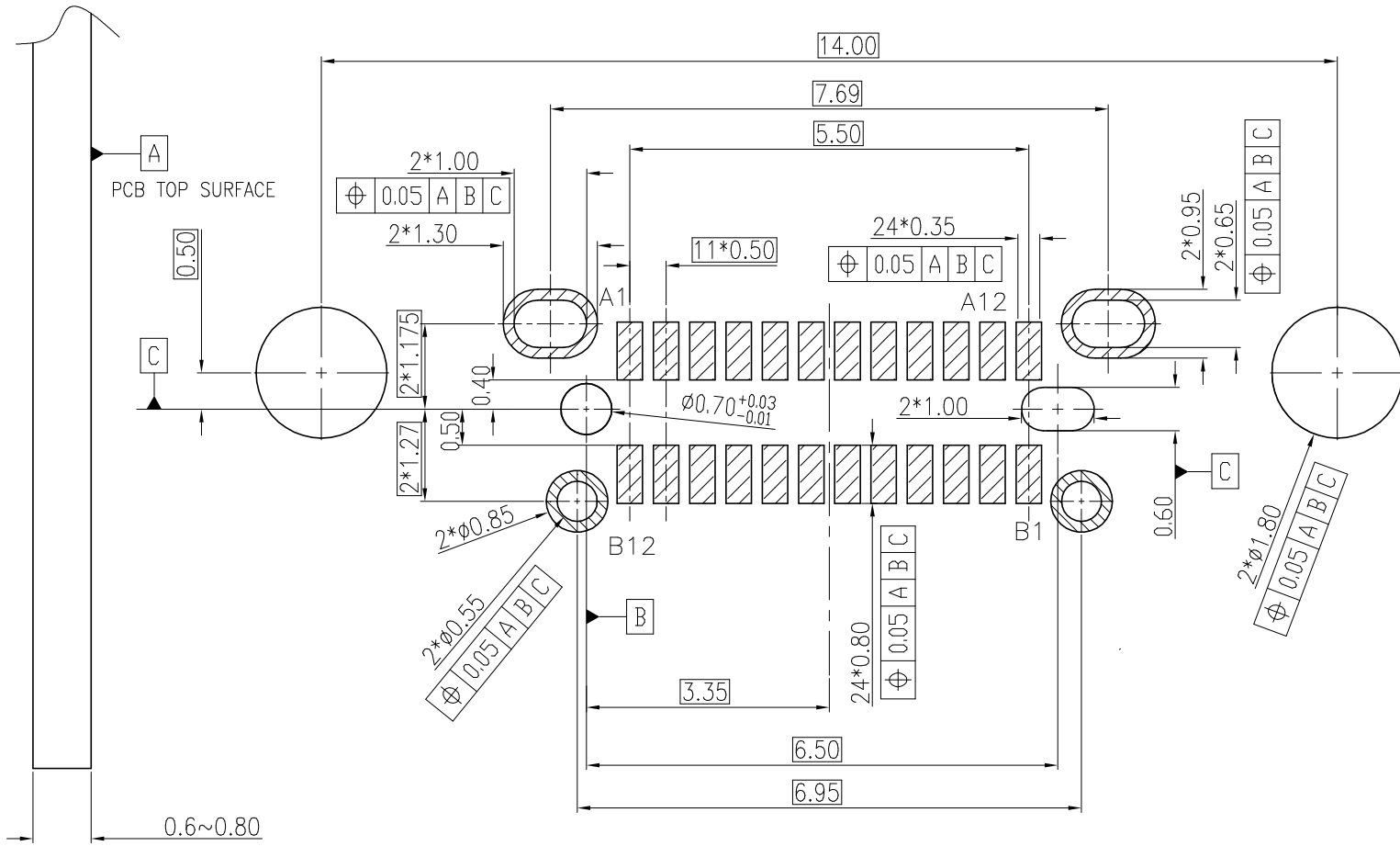
**CLASS:**     CONFIDENTIAL     SECRET     GENERAL

**TITLE.:**    CUSTOMER    DRAWING

**DWG NO.:**

|  |  |       |       |     |
|--|--|-------|-------|-----|
|  |  | SHEET | SCALE | REV |
|  |  | 1 / 2 | 1:1   | B   |

|     |                      |              |
|-----|----------------------|--------------|
| REV | ECN.NO               | APPD.        |
| A   | XYX-183BZ-24TC-18301 | ZHENBO LIU   |
| B   | XYX-183BZ-24TC-18301 | QiaoZhen LIN |



- NOTES:
- ELECTRICAL CHARACTERISTICS :
    - CONTACT CURRENT RATING: 5.0 A FOR VBUS PIN AND ITS CORRESPONDING GND PIN. 0.25 A MIN FOR ALL OTHER CONTACTS.
    - CONTACT RESISTANCE: INITIAL 40 mΩ Max. AFTER 50 mΩ Max.
    - DIELECTRIC WITHSTANDING VOLTAGE : 100 VRMS AC MIN.
    - INSULATION RESISTANCE: 100 MEGOHMS MIN.
  - MECHANICAL CHARACTERISTICS:
    - CONNECTOR INSERTION FORCE: 5~20N. AT A MAXIMUN RATE OF 12.5MM PER SECOND.
    - CONNECTOR EXTRACTION FORCE: 8~20N FORM 1000 CYCLES 6~20N FORM 1000 to 10000 CYCLES
    - DURABILITY: 10000 CYCLES.
    - OPERATING TEMPERATURE: -55°C TO +85°C
  - DIMENSIONS ARE IN MILLIMETERS, BRACKETED DIMENSIONS ARE INCHES EQUIVALENTS.
  - RECOMMENED PROCESS: IR REFLOW 260°C, 10 SECONDS.
  - THE CONNECTOR IS ROHS COMPLIANT.
  - PRODUCT NUMBER : 1UBC060 \* 24R \* R-HF
    - OO:ROHS
    - HF:HALOGEN FREE
    - HOUSING COLOR: 1:BLACK, 2:Natural
    - PLATING CODE: F:GOLD FLASH

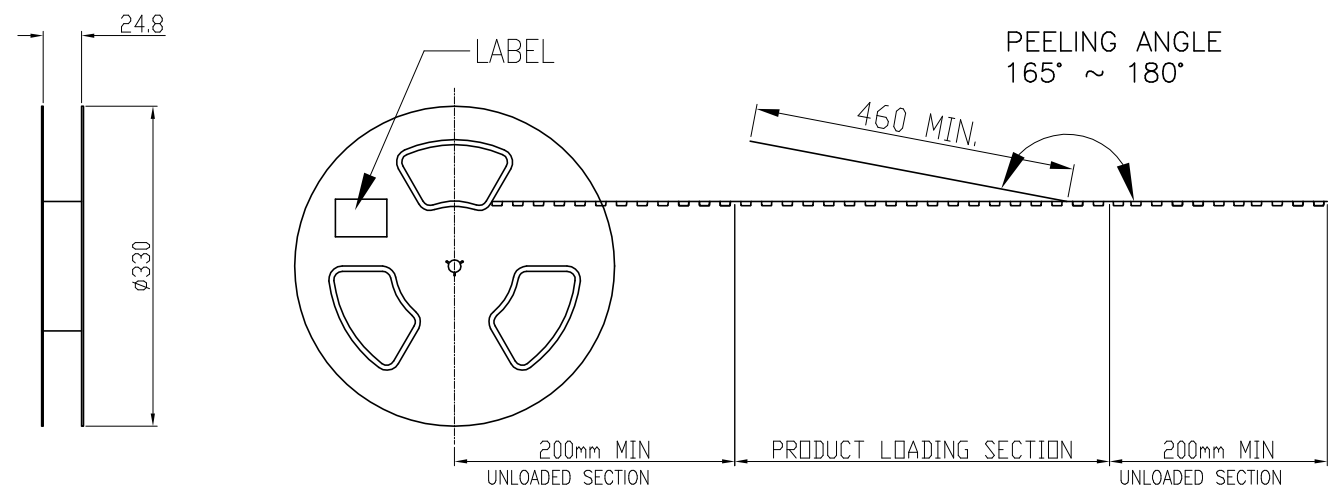
RECOMMENDED PCB LAYOUT TOLERANCE ±0.05MM.

| PIN | SIGNAL NAME | PIN | SIGNAL N |
|-----|-------------|-----|----------|
| A1  | GND         | B12 | GND      |
| A2  | SSTXp1      | B11 | SSRXp1   |
| A3  | SSTXn1      | B10 | SSRXn1   |
| A4  | VBUS        | B9  | VBUS     |
| A5  | CC1         | B8  | SBU2     |
| A6  | Dp1         | B7  | Dn2      |
| A7  | Dn1         | B6  | Dp2      |
| A8  | SBU1        | B5  | CC2      |
| A9  | VBUS        | B4  | VBUS     |
| A10 | SSRXn2      | B3  | SSTXn2   |
| A11 | SSRXp2      | B2  | SSTXp2   |
| A12 | GND         | B1  | GND      |

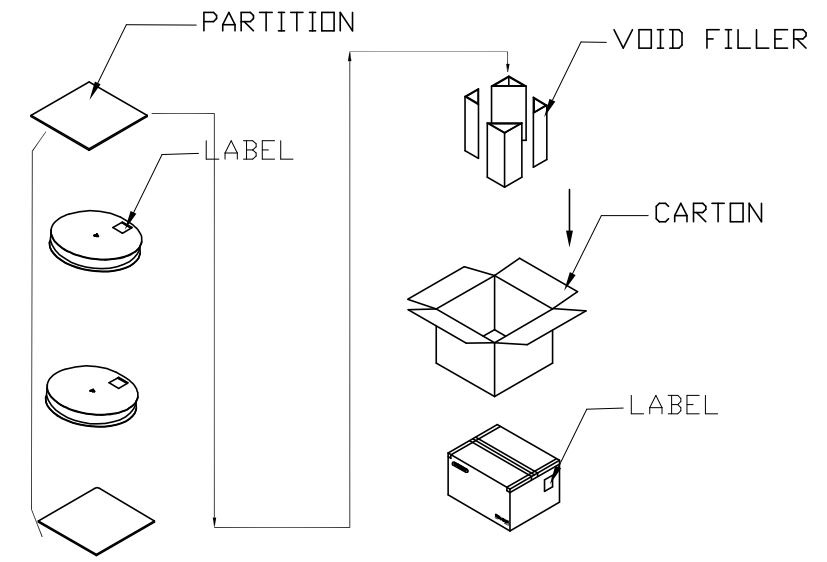
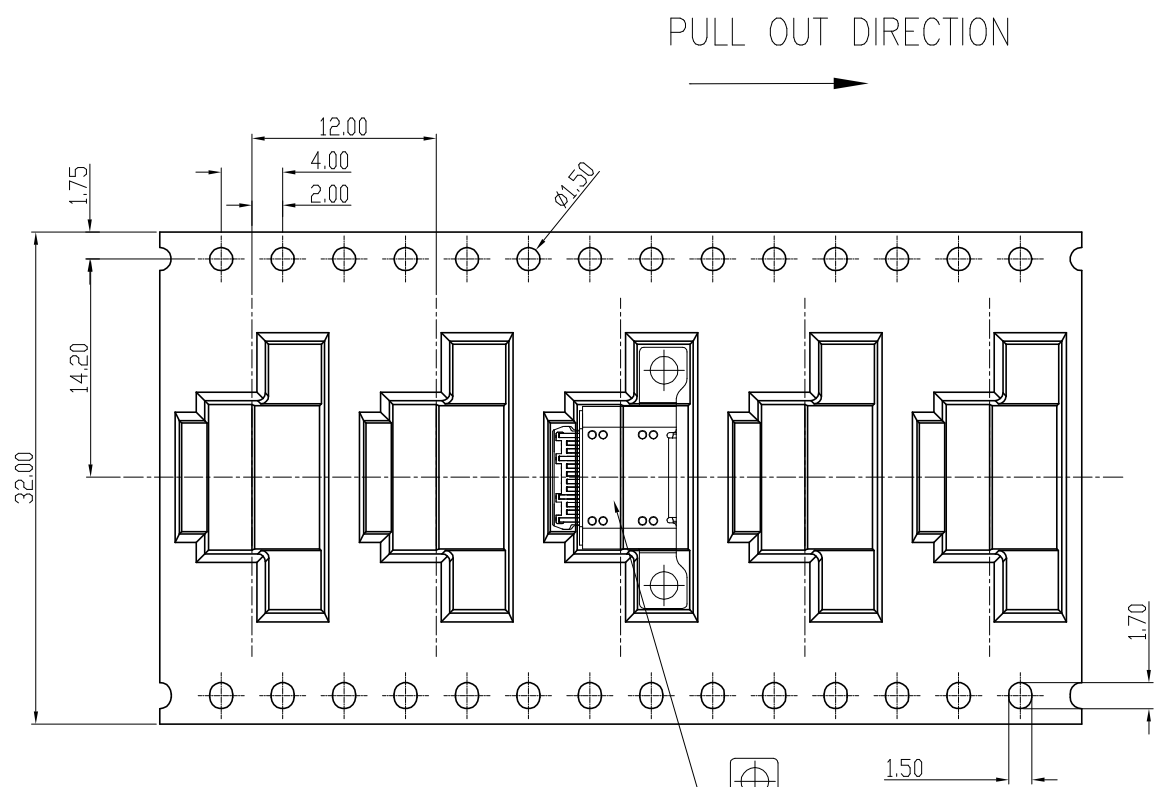
此文件为双方检验的唯一标准  
This document is the only standard for inspection by both parties

|  |        |     |                        |  |          |   |       |       |     |       |     |   |
|--|--------|-----|------------------------|--|----------|---|-------|-------|-----|-------|-----|---|
| GENERAL TOLERANCE<br>X.±0.30    x.'±1'<br>.X±0.25    .x'±0.1'<br>.XX±0.10<br>.XXX±0.10   | UNITS  | mm  | NAME(INTENDED USE)     | 深圳市日宝电子科技有限公司<br>Shenzhen RB Electronic Technology Co., Ltd.   |          |   |       |       |     |       |     |   |
|  | MAT'L  |     | PART NO.(INTENDED USE) | CLASS: <input type="checkbox"/> CONFIDENTIAL <input type="checkbox"/> SECRET <input checked="" type="checkbox"/> GENERAL |          |   |       |       |     |       |     |   |
|  | FINISH |     | APPD:                  | TITLE.:    CUSTOMER    DRAWING   |          |   |       |       |     |       |     |   |
|  | Q'TY   |     | CHKD:                  | DWG NO.:   |          |   |       |       |     |       |     |   |
| THESE DRAWINGS AND SPECIFICATIONS ARE THE PROPERTY OF RIBAO IN TEECONNECT TECHNOLOGY LIMITED.AND SHALL NOT BE REPRODUCED COPIED OR USED IN ANY MANNER WITHOUT THE PRIOR WRITTEN CONSENT OF XINYEXING INTERCONNECTEC HNOLGY LIMITEDCT |        |     | DR:                    | ZHIYI LI   | 12/04'16 | <table border="1"> <tr> <td>SHEET</td> <td>SCALE</td> <td>REV</td> </tr> <tr> <td>2 / 2</td> <td>1:1</td> <td>B</td> </tr> </table> | SHEET | SCALE | REV | 2 / 2 | 1:1 | B |
| SHEET  | SCALE  | REV |                        |  |          |   |       |       |     |       |     |   |
| 2 / 2  | 1:1    | B   |                        |  |          |   |       |       |     |       |     |   |

|     |                      |              |
|-----|----------------------|--------------|
| REV | ECN.NO               | APPD.        |
| A   | XYX-183BZ-24TC-18301 | ZHENBO LIU   |
| B   | XYX-183BZ-24TC-18301 | QiaoZhen LIN |



- NOTES :
- MATERIAL :  
COVER TAPE : P.S T=0.05mm  
CARRIER TAPE : P.S T=0.40mm  
CARTON: CORRUGATED FIBER
  - DIMENSION :  
REEL : SEE DRAWING  
SHIPPING BOX: 350X350X300mm
  - QUANTITY : SEE TABLE
  - PEELING RESISTANCE : 10gf~130gf (for 12~56mm)
  - PEELING SPEED : 300mm/MINUTES



|          |          |            |
|----------|----------|------------|
| 1000     | 7        | 7000       |
| PCS/REEL | REEL/BOX | TOTAL Q'TY |


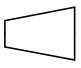
此文件为双方检验的唯一标准  
This document is the only standard for inspection by both parties

GENERAL TOLERANCE  
X.±0.30 x.\*±1\*  
.X±0.25 .x\*±0.1\*  
.XX±0.10  
.XXX±0.10

THESE DRAWINGS AND SPECIFICATIONS ARE THE PROPERTY OF RIBAO IN TEECONNECT TECHNOLOGY LIMITED.AND SHALL NOT BE REPRODUCED COPIED OR USED IN ANY MANNER WITHOUT THE PRIOR WRITTEN CONSENT OF XINYEXING INTERCONNECTEC HNOLGY LIMITEDCT

|        |    |                        |                             |
|--------|----|------------------------|-----------------------------|
| UNITS  | mm | NAME(INTENDED USE)     | USB TYPE C DUAL SMT,CH1.6mm |
| MAT'L  |    | PART NO.(INTENDED USE) | XYX-183BZ-24TC-18301        |
| FINISH |    | APPD:                  | ZHENBO LIU 12/04'16         |
| Q'TY   |    | CHKD:                  | QiaoZhen LIN 12/04'16       |
|        |    | DR:                    | ZHIYI LI 12/04'16           |

 深圳市日宝电子科技有限公司  
Shenzhen RB Electronic Technology Co., Ltd.

|   |   |                                 |   |
|---|---|---------------------------------|---|
| CLASS:  | <input type="checkbox"/> CONFIDENTIAL   | <input type="checkbox"/> SECRET | <input checked="" type="checkbox"/> GENERAL |
| TITLE.:   | CUSTOMER DRAWING  |                                 |   |
| DWG NO.:  |   |                                 |   |
|  |  | SHEET                           | SCALE                                       |
|   |   | 2 / 2                           | 1:1   |
|   |   |                                 | REV   |
|   |   |                                 | B   |